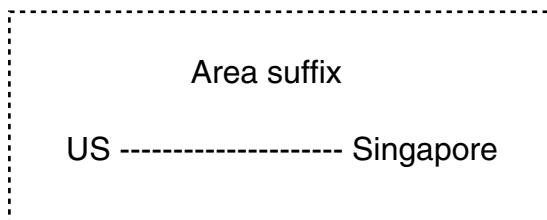


PARTS LIST

[XM-R700SL]

* All printed circuit boards and its assemblies are not available as service parts.



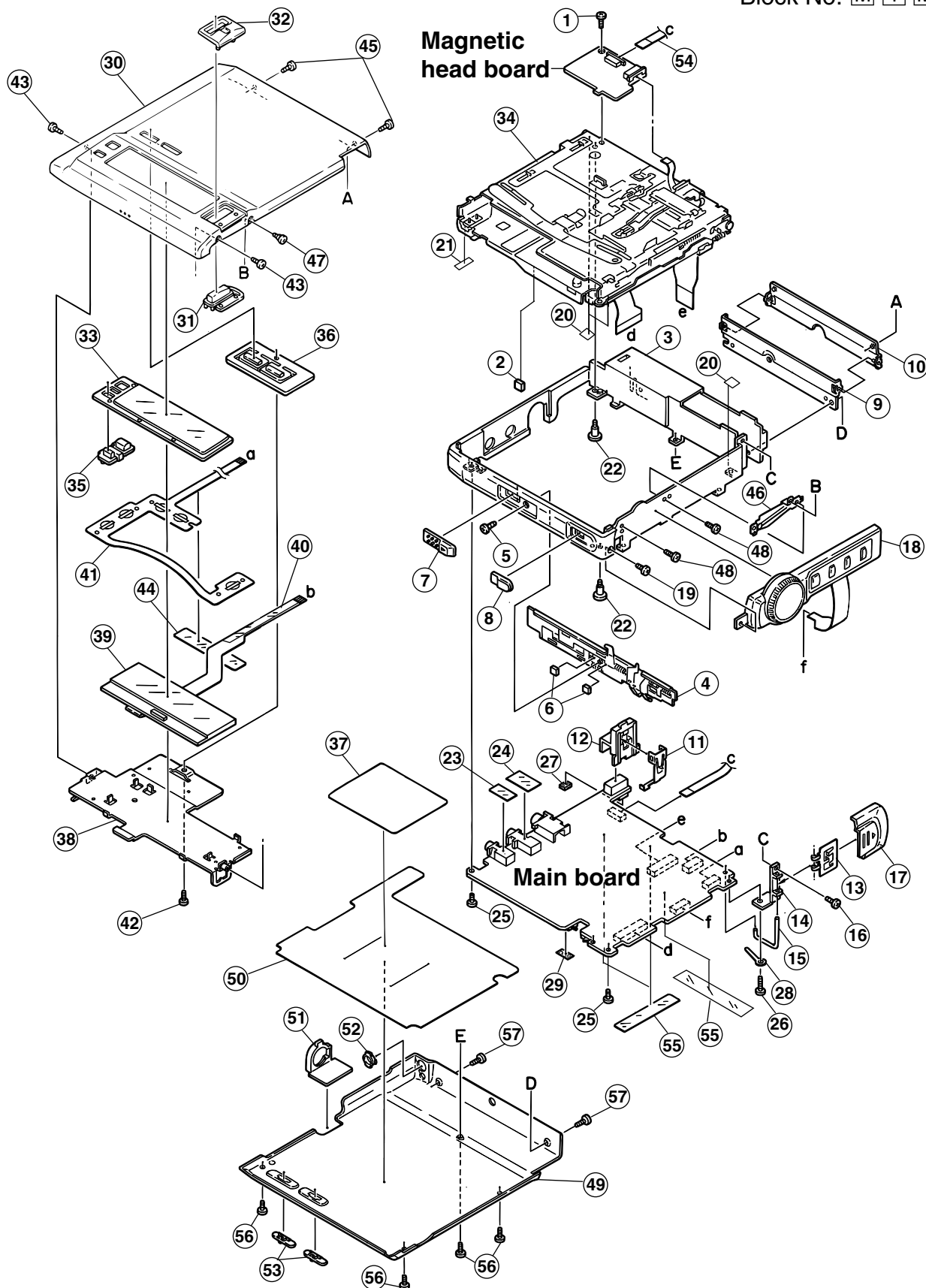
- Contents -

Exploded view of general assembly and parts list	3- 3
MD mechanism assembly and parts list	3- 6
Electrical parts list	3- 8
Packing materials and accessories parts list	3-12

< MEMO >

Exploded view of general assembly and parts list

Block No. M 1 M M



■ Parts list (General assembly)

Block No. M1MM

△	Item	Parts number	Parts name	Q'ty	Description	Area
	1	QYSPSPU1411M	SCREW	1		
	2	LV30225-037A	SPACER	1	FOR MECHA	
	3	LV10231-203A	CABINET	1		
	4	LV31193-003A	EJECT ASSY	1		
	5	LV41215-005A	MINI SCREW	1	FOR EJECT ASSY	
	6	LV30225-034A	SPACER	2	FOR EJECT ASSY	
	7	LV31189-003A	EJECT KNOB	1		
	8	LV31188-002A	REC KNOB	1		
	9	LV31198-001A	HINGE PLATE (A)	1		
	10	LV31199-001A	HINGE PLATE (B)	1		
	11	LV31203-001A	BATT CONTACT(+)	1		
	12	LV31205-001A	HOLDER (+)	1		
	13	LV31204-001A	BATT CONTACT(-)	1		
	14	LV31206-001A	HOLDER (-)	1		
	15	LV41050-001A	SHAFT	1		
	16	LV41215-003A	MINI SCREW	1	FOR BATT HOLDER	
	17	LV31207-003A	BATT LID	1		
	18	QSW0833-001	JOG ASSY	1		
	19	VKZ4616-008	SCREW	1	FOR JOG ASSY	
	20	LV30225-055A	CUSHION	3	FOR MECHA	
	21	LV30225-032A	CUSHION	1		
	22	LV40406-001A	SPECIAL SCREW	2	FOR MECHA	
	23	LV41237-001A	INSULATOR	1	FOR JACK	
	24	LV41237-002A	INSULATOR	1	FOR JACK	
	25	VKZ4616-008	SCREW	2	FOR PCB	
	26	QYSPSPU1425N	SCREW	1		
	27	LV30225-033A	SPACER	1	FOR PCB	
	28	F00411-02	LUG TERMINAL	1		
	29	LV30225-036A	SPACER	1	FOR PCB	
	30	LV32648-002A	MD DOOR ASSY	1		
	31	LV31186-002A	SET BUTTON	1		
	32	LV31190-003A	ESCUTCHEON	1		
	33	LV31183-001A	LCD LENS	1		
	34	-----	MD MECHA	1	FLM-SRM2	
	35	LV31185-003A	EDIT BUTTON	1		
	36	LV31184-003A	VOL BUTTON	1		
△	37	LV42035-001A	LASER CAUTION	1		
	38	LV31273-001A	DOOR PLATE ASSY	1		
	39	QLD0086-001	LCD MODULE	1		
	40	LV41237-005A	INSULATOR	1	FOR LCD MODULE	
	41	QSW0835-001	5KEY SHEET	1		
	42	LV41215-001A	MINI SCREW	1	FOR DOOR PLATE	
	43	VKZ4616-008	SCREW	2	FOR DOOR PLATE	
	44	LV41237-004A	INSULATOR	1	FOR DOOR	
	45	VKZ4616-008	SCREW	2	FOR HINGE	
	46	LV31208-001A	DOOR ARM ASSY	1		
	47	LV41100-001A	SCREW	1	FOR DOOR ARM	
	48	VKZ4616-008	SCREW	2	FOR ARM ASSY	

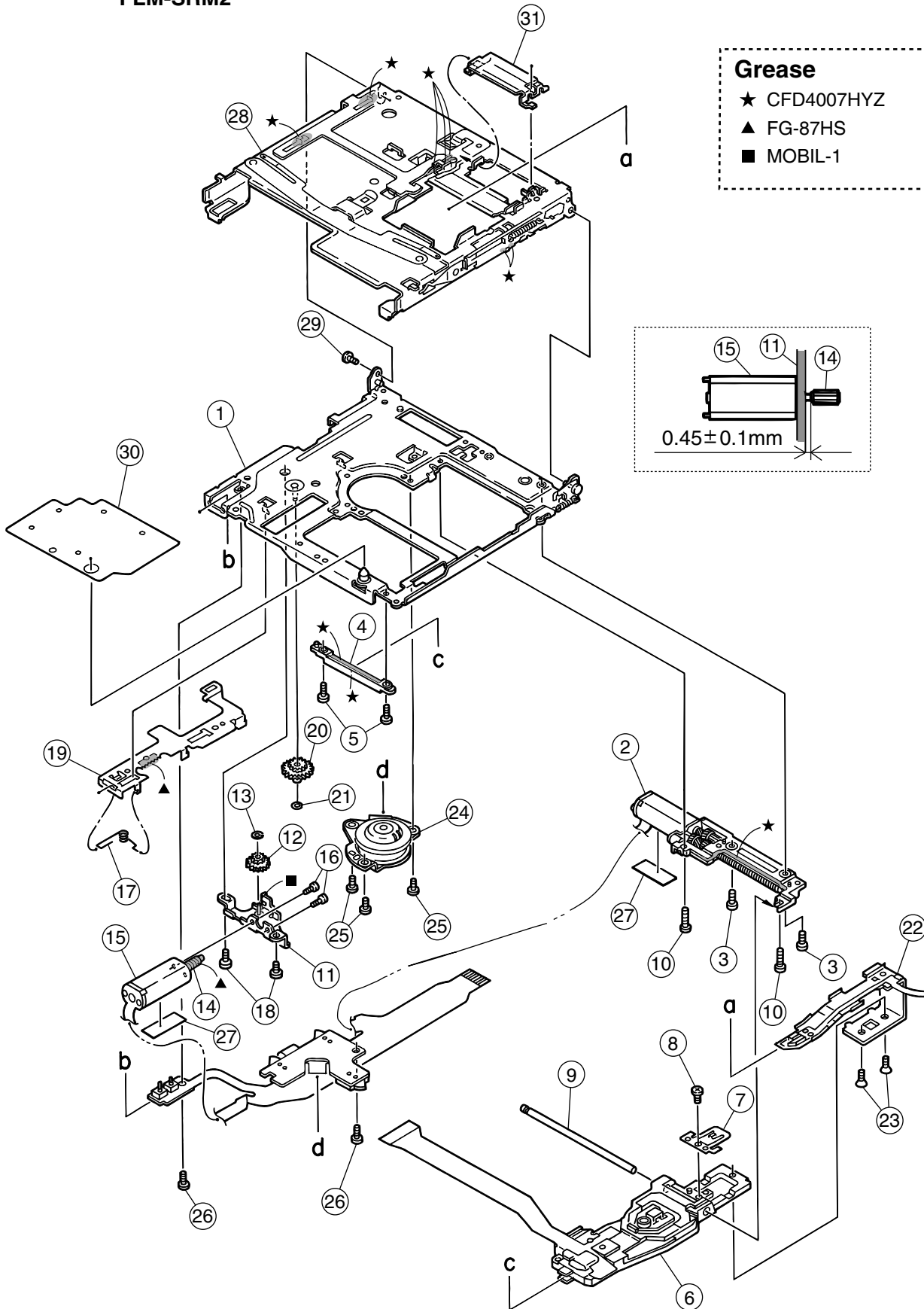
Parts list (General assembly)
Block No. M1MM

△	Item	Parts number	Parts name	Q'ty	Description	Area
△	49	LV20433-006A	BOTTOM COVER	1	FOR JES PRODUCT	
	50	LV41043-001A	INSULATOR	1	FOR BOTTOM COVE	
	51	LV31191-001A	H.P.JACK COVER	1		
	52	LV31192-001A	DC JACK COVER	1		
	53	LV31187-001A	SLIDE KNOB	2		
	54	QUQ605-0506AA	FFC WIRE	1		
	55	LV41237-003A	INSULATOR	3		
	56	VKZ4616-008	SCREW	4	FOR BOTTOM COVER	
	57	LV41215-003A	MINI SCREW	2		

MD mechanism assembly and parts list

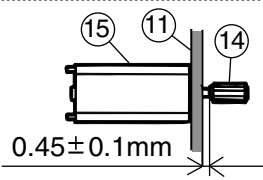
Block No. M 2 M M

FLM-SRM2



Grease

- ★ CFD4007HYZ
- ▲ FG-87HS
- MOBIL-1



■ Parts list (MD mechanism)

Block No. M2MM

△	Item	Parts number	Parts name	Q'ty	Description	Area
	1	LV20359-001A	CHASSIS ASS'Y	1		
	2	LV31098-002A	FEED UNIT	1		
	3	LV40501-001A	SPECIAL SCREW	2	M1.4X1.6	
	4	LV40928-001A	P.U. GUIDE	1		
	5	LV40500-001A	SPECIAL SCREW	2	M1.4X3.0	
	6	QAL0170-001	PICK UP	1		
	7	LV40926-001A	LEAD SPRING	1		
	8	VKZ4616-008	SCREW	1	M1.4X1.5	
	9	LV40927-001A	MAIN SHAFT	1		
	10	LV41021-001A	SPECIAL SCREW	2	M1.4X3.5	
	11	LV41012-001A	LIFT BKT ASSY	1		
	12	LV40921-002A	L WHEEL GEAR	1		
	13	WDM082520	SLIT WASHER	1		
	14	LV40920-001A	L. WORM GEAR	1		
	15	QAR0096-001	MOTOR	1		
	16	LV40931-001A	SPECIAL SCREW	2	M1X1.2	
	17	LV41228-001A	TORSION SPRING	1		
	18	LV40501-001A	SPECIAL SCREW	2	M1.4X1.6	
	19	LV31053-001A	LIFT SLIDER	1		
	20	LV40922-001A	LIFT GEAR	1		
	21	WDM082520	SLIT WASHER	1		
	22	QAH0031-001	MD HEAD	1		
	23	LV41020-001A	SPECIAL SCREW	2	M1.7X2.0	
	24	QAR0053-001	SPINDLE MOTOR	1		
	25	LV40501-001A	SPECIAL SCREW	3	M1.4X1.6	
	26	LV40501-001A	SPECIAL SCREW	2	M1.4X1.6	
	27	LV41194-001A	SHEET	2		
	28	LV20360-002A	C.HOLDER ASSY	1		
	29	VKZ4616-008	SCREW	1	M1.4X1.5	
	30	LV41036-001A	COVER SHEET ASY	1		
	31	LV31100-002A	HEAD PROTECTOR	1		

■ Electrical parts list (Main board)

Block No. 01

△	Item	Parts number	Parts name	Remarks	Area
	C 101	NCS31HJ-101X	C CAPACITOR		
	C 106	NCB21CK-105X	C CAPACITOR		
	C 121	NCS31HJ-331X	C CAPACITOR		
	C 122	NBE91CM-105X	E CAPACITOR		
	C 123	NFV81CM-104X	F CAPACITOR		
	C 124	NBE90GM-335X	E CAPACITOR		
	C 126	NBE90JM-106X	E CAPACITOR		
	C 127	NCS31HJ-271X	C CAPACITOR		
	C 128	NCB21CK-104X	C CAPACITOR		
	C 151	NCS31HJ-331X	C CAPACITOR		
	C 152	NCB30JK-105X	C CAPACITOR		
	C 161	NCB21CK-224X	C CAPACITOR		
	C 162	NBFA0GM-157X	E CAPACITOR		
	C 163	NCB21CK-224X	C CAPACITOR		
	C 201	NCS31HJ-101X	C CAPACITOR		
	C 206	NCB21CK-105X	C CAPACITOR		
	C 221	NCS31HJ-331X	C CAPACITOR		
	C 222	NBE91CM-105X	E CAPACITOR		
	C 223	NFV81CM-104X	F CAPACITOR		
	C 224	NBE90GM-335X	E CAPACITOR		
	C 226	NBE90JM-106X	E CAPACITOR		
	C 227	NCS31HJ-271X	C CAPACITOR		
	C 228	NCB21CK-104X	C CAPACITOR		
	C 251	NCS31HJ-331X	C CAPACITOR		
	C 252	NCB30JK-105X	C CAPACITOR		
	C 261	NCB21CK-224X	C CAPACITOR		
	C 262	NBFA0GM-157X	E CAPACITOR		
	C 263	NCB21CK-224X	C CAPACITOR		
	C 300	NCB31CK-104X	C CAPACITOR		
	C 301	NBE90JM-106X	E CAPACITOR		
	C 302	NCB31HK-103X	C CAPACITOR		
	C 303	NBE90JM-106X	E CAPACITOR		
	C 304	NCB31HK-103X	C CAPACITOR		
	C 305	NCB31HK-102X	C CAPACITOR		
	C 306	NCB31HK-682X	C CAPACITOR		
	C 307	NCB31EK-223X	C CAPACITOR		
	C 308	NCB31HK-102X	C CAPACITOR		
	C 312	NCB21AK-105X	C CAPACITOR		
	C 313	NCB31HK-472X	C CAPACITOR		
	C 314	NCB21AK-105X	C CAPACITOR		
	C 315	NCB31HK-682X	C CAPACITOR		
	C 316	NCB21CK-224X	C CAPACITOR		
	C 317	NCB31HK-103X	C CAPACITOR		
	C 318	NCB31HK-223X	C CAPACITOR		
	C 319	NCB31CK-104X	C CAPACITOR		
	C 320	NCB31CK-104X	C CAPACITOR		
	C 321	NCB31EK-223X	C CAPACITOR		
	C 322	NCB31EK-223X	C CAPACITOR		
	C 323	NCB31CK-104X	C CAPACITOR		
	C 341	NCB31CK-104X	C CAPACITOR		
	C 342	NCB31CK-104X	C CAPACITOR		
	C 343	NBE90JM-106X	E CAPACITOR		
	C 351	NBE20JM-106X	E CAPACITOR		
	C 352	NBE20JM-106X	E CAPACITOR		
	C 353	NCS31HJ-7R0X	C CAPACITOR		
	C 354	NCS31HJ-7R0X	C CAPACITOR		
	C 356	NCB31CK-103X	C CAPACITOR		
	C 357	NCB21CK-474X	C CAPACITOR		
	C 358	NCB21AK-105X	C CAPACITOR		
	C 359	NCS31HJ-471X	C CAPACITOR		
	C 360	NCB21CK-474X	C CAPACITOR		
	C 361	NCB31HK-153X	C CAPACITOR		
	C 362	NBE20JM-106X	E CAPACITOR		

△	Item	Parts number	Parts name	Remarks	Area
	C 365	NCB31CK-104X	C CAPACITOR		
	C 366	NCB31CK-104X	C CAPACITOR		
	C 401	NBE90JM-106X	E CAPACITOR		
	C 402	NBE21CM-335X	E CAPACITOR		
	C 403	NCB21AK-105X	C CAPACITOR		
	C 404	NCB21AK-105X	C CAPACITOR		
	C 406	NBE21CM-335X	E CAPACITOR		
	C 407	NBE21CM-335X	E CAPACITOR		
	C 408	NBE21CM-335X	E CAPACITOR		
	C 409	NBE21CM-335X	E CAPACITOR		
	C 450	NCB31CK-473X	C CAPACITOR		
	C 454	NCB30JK-105X	C CAPACITOR		
	C 455	NCB31CK-104X	C CAPACITOR		
	C 456	NCB31HK-222X	C CAPACITOR		
	C 457	NCB31HK-102X	C CAPACITOR		
	C 458	NCB31CK-473X	C CAPACITOR		
	C 459	NCB21AK-225X	C CAPACITOR		
	C 460	NCB31HK-682X	C CAPACITOR		
	C 461	NCB31CK-473X	C CAPACITOR		
	C 463	NBE20JM-106X	E CAPACITOR		
	C 501	NBE90JM-106X	E CAPACITOR		
	C 502	NCB31CK-103X	C CAPACITOR		
	C 503	NCB31CK-104X	C CAPACITOR		
	C 504	NCB31CK-104X	C CAPACITOR		
	C 505	NCB31CK-104X	C CAPACITOR		
	C 506	NCB31CK-104X	C CAPACITOR		
	C 507	NCF31AZ-105X	C CAPACITOR		
	C 508	NCF31AZ-105X	C CAPACITOR		
	C 551	NCB31HK-103X	C CAPACITOR		
	C 552	NCB31HK-103X	C CAPACITOR		
	C 571	NCF31AZ-105X	C CAPACITOR		
	C 572	NCF31AZ-105X	C CAPACITOR		
	C 573	NCS31HJ-221X	C CAPACITOR		
	C 574	NCS31HJ-221X	C CAPACITOR		
	C 575	NCS31HJ-221X	C CAPACITOR		
	C 801	NCB31CK-104X	C CAPACITOR		
	C 802	NBE20GM-335X	E CAPACITOR		
	C 803	NCB31CK-104X	C CAPACITOR		
	C 805	NCB31CK-104X	C CAPACITOR		
	C 807	NCB31CK-104X	C CAPACITOR		
	C 808	NCF31AZ-105X	C CAPACITOR		
	C 810	NCB31CK-104X	C CAPACITOR		
	C 811	NCB31CK-104X	C CAPACITOR		
	C 812	NBE90JM-106X	E CAPACITOR		
	C 813	NCB31CK-104X	C CAPACITOR		
	C 817	NCS31HJ-331X	C CAPACITOR		
	C 821	NBE20JM-106X	E CAPACITOR		
	C 822	NBE90JM-106X	E CAPACITOR		
	C 823	NCB31CK-104X	C CAPACITOR		
	C 824	NBE20JM-106X	E CAPACITOR		
	C 825	NBE21AM-335X	E CAPACITOR		
	C 826	NCS31HJ-331X	C CAPACITOR		
	C 861	NBE90JM-106X	E CAPACITOR		
	C 862	NBE90GM-475X	E CAPACITOR		
	C 863	NCB31CK-104X	C CAPACITOR		
	C 864	NCB21AK-105X	C CAPACITOR		
	C 865	NCB31CK-104X	C CAPACITOR		
	C 866	NCS31HJ-331X	C CAPACITOR		
	C 867	NCS31HJ-331X	C CAPACITOR		
	C 868	NCS31HJ-331X	C CAPACITOR		
	C 903	NCF31AZ-105X	C CAPACITOR		
	C 909	NCS31HJ-221X	C CAPACITOR		
	C 910	NCB31HK-102X	C CAPACITOR		

■ Electrical parts list (Main board)

Block No. 01

△	Item	Parts number	Parts name	Remarks	Area	△	Item	Parts number	Parts name	Remarks	Area
	C 911	NCB11AK-475X	C CAPACITOR				IC823	UMW2N-W	TRANSISTOR		
	C 912	NBG40GM-226X	E CAPACITOR				IC824	UMW1N-W	TRANSISTOR		
	C 913	NBE40GM-226X	E CAPACITOR				IC825	RN1964-X	TRANSISTOR		
	C 914	NCB31CK-103X	C CAPACITOR				IC851	JCV8002-W	IC		
	C 915	NCB31HK-102X	C CAPACITOR				IC911	MB3817PFV-X	IC		
	C 916	NCB31CK-333X	C CAPACITOR				IC921	XC6366B102M-X	IC		
	C 917	NCB31HK-102X	C CAPACITOR				IC931	S-8321AAMPDNA-W	IC		
	C 918	NCB31CK-104X	C CAPACITOR				IC941	TK11118SC-W	IC		
	C 919	NCB21AK-225X	C CAPACITOR				IC951	TC7W00FU-X	IC		
	C 920	NCB31HK-102X	C CAPACITOR				J 801	QNZ0416-001X	LINE/OPT JACK		
	C 921	NCB11AK-475X	C CAPACITOR				J 821	NNS0004-001X	3.5 JACK		
	C 922	NBG40GM-226X	E CAPACITOR				J 851	QNS0098-002	3.5 JACK		
	C 924	NCS31HJ-121X	C CAPACITOR				J 901	QNA0023-001	DC.JACK		
	C 931	NCB21AK-105X	C CAPACITOR				K 101	NQR0265-003X	FERRITE BEADS		
	C 932	NBE21AM-106X	E CAPACITOR				K 121	NQR0265-003X	FERRITE BEADS		
	C 941	NCB31CK-104X	C CAPACITOR				K 151	NQR0265-003X	FERRITE BEADS		
	C 942	NCB31CK-104X	C CAPACITOR				K 201	NQR0265-003X	FERRITE BEADS		
	C 943	NCB21CK-105X	C CAPACITOR				K 221	NQR0265-003X	FERRITE BEADS		
	C 951	NCB31HK-103X	C CAPACITOR				K 251	NQR0265-003X	FERRITE BEADS		
	C 952	NCB31CK-333X	C CAPACITOR				K 801	NQR0265-003X	FERRITE BEADS		
	C 953	NCB31CK-104X	C CAPACITOR				K 802	NQR0265-003X	FERRITE BEADS		
	C 954	NCS31HJ-102X	C CAPACITOR				K 803	NQR0265-003X	FERRITE BEADS		
	C 955	NCB31CK-104X	C CAPACITOR				K 821	NQR0265-003X	FERRITE BEADS		
	C 956	NCB31CK-104X	C CAPACITOR				K 851	NQR0265-003X	FERRITE BEADS		
	C 957	NCB31HK-103X	C CAPACITOR				K 852	NQR0265-003X	FERRITE BEADS		
	C 971	NCB31HK-103X	C CAPACITOR				K 853	NQR0265-003X	FERRITE BEADS		
	CN300	QGF0513F2-22X	CONNECTOR	FOR PICK UP			K 854	NQR0265-003X	FERRITE BEADS		
	CN401	QGF0513F2-16X	CONNECTOR	FOR MECHA			L 400	NQL114K-471X	INDUCTOR		
	CN551	QGF0513F2-07X	CONNECTOR	FOR JOG			L 402	NQL365K-100X	INDUCTOR		
	CN552	QGF0513F1-06X	CONNECTOR	FOR KEY			L 403	NQL365K-100X	INDUCTOR		
	CN571	QGF0513F1-07X	CONNECTOR	FOR LCD			L 404	NQL365K-100X	INDUCTOR		
	CN701	QGF0513F1-05X	CONNECTOR	FOR MH DRIVE			L 405	NQL365K-100X	INDUCTOR		
	D 301	1SS355-X	DIODE				L 501	NQL302N-100X	INDUCTOR		
	D 400	F02J4L-X	DIODE				L 911	NQL32CM-330X	INDUCTOR		
	D 501	1SS388-X	SB DIODE				L 912	NQL114M-1R0X	INDUCTOR		
	D 503	1SS388-X	SB DIODE				L 921	NQL32CM-470X	INDUCTOR		
	D 504	1SS388-X	SB DIODE				L 931	NQL114K-331X	INDUCTOR		
	D 552	1SS388-X	SB DIODE				Q 300	2SB1219/RS-X	TRANSISTOR		
	D 821	DAP222-X	DIODE				Q 301	DTA1144EE-X	TRANSISTOR		
	D 901	F1J2E-X	DIODE				Q 342	DTA114YE-X	TRANSISTOR		
	D 902	F1J2E-X	DIODE				Q 801	DTA114EE-X	TRANSISTOR		
	D 911	CRS01-W	SB DIODE				Q 802	DTC144EE-X	TRANSISTOR		
	D 921	CRS01-W	SB DIODE				Q 821	2SC4617/R/-X	TRANSISTOR		
	D 931	MA729-X	DIODE				Q 822	2SA2018-X	TRANSISTOR		
	D 951	1SS355-X	DIODE				Q 903	SI2305DS-X	TRANSISTOR		
	D 953	RB717F-X	DIODE				Q 904	2SA1774/R/-X	TRANSISTOR		
	D 954	1SS388-X	SB DIODE				Q 905	2SB1132/QR/-X	TRANSISTOR		
	D 955	1SS388-X	SB DIODE				Q 906	2SC4617/R/-X	TRANSISTOR		
	D 956	1SS355-X	DIODE				Q 907	2SA1774/R/-X	TRANSISTOR		
	D 957	1SS388-X	SB DIODE				Q 911	FMMT717-X	TRANSISTOR		
	IC300	CXA2523AR	IC				Q 921	SSM3J01F-X	FET		
	IC301	SN74AHC1G08DC-X	IC				Q 951	2SC4617/R/-X	TRANSISTOR		
	IC341	TK11224BMC-X	IC				Q 952	2SC4617/R/-X	TRANSISTOR		
	IC351	CXD2672GA	IC				Q 953	2SC4617/R/-X	TRANSISTOR		
	IC400	MPC17A139MTB-X	IC				Q 954	2SC4617/R/-X	TRANSISTOR		
	IC450	CXA8095Q	IC				Q 955	DTC144EE-X	TRANSISTOR		
	IC501	HD6433048SV67X	IC				Q 956	2SA2018-X	TRANSISTOR		
	IC502	AK93C55BH-W	IC				Q 971	2SC4617/R/-X	TRANSISTOR		
	IC504	IC-PST3424U-X	IC				R 101	NRSA63J-473X	MG RESISTOR		
	IC801	AK4562VN-W	IC				R 104	NRSA6AJ-0R0W	MG RESISTOR		
	IC802	TK11225BMC-X	IC				R 121	NRSA63J-472X	MG RESISTOR		
	IC821	NJM2115V-W	IC				R 122	NRSA63J-102X	MG RESISTOR		
	IC822	UMW1N-W	TRANSISTOR				R 123	NRSA63J-104X	MG RESISTOR		

■ Electrical parts list (Main board)

Block No. 01

△	Item	Parts number	Parts name	Remarks	Area
	R 124	NRSA63J-102X	MG RESISTOR		
	R 125	NRSA63J-153X	MG RESISTOR		
	R 126	NRSA63J-151X	MG RESISTOR		
	R 127	NRSA63J-333X	MG RESISTOR		
	R 128	NRSA63J-105X	MG RESISTOR		
	R 129	NRSA63J-102X	MG RESISTOR		
	R 151	NRSA63J-203X	MG RESISTOR		
	R 152	NRSA63J-332X	MG RESISTOR		
	R 161	NRSA63J-100X	MG RESISTOR		
	R 162	NRSA63J-392X	MG RESISTOR		
	R 166	NRSA63J-103X	MG RESISTOR		
	R 201	NRSA63J-473X	MG RESISTOR		
	R 204	NRSA6AJ-0R0W	MG RESISTOR		
	R 221	NRSA63J-472X	MG RESISTOR		
	R 222	NRSA63J-102X	MG RESISTOR		
	R 223	NRSA63J-104X	MG RESISTOR		
	R 224	NRSA63J-102X	MG RESISTOR		
	R 225	NRSA63J-153X	MG RESISTOR		
	R 226	NRSA63J-151X	MG RESISTOR		
	R 227	NRSA63J-333X	MG RESISTOR		
	R 228	NRSA63J-105X	MG RESISTOR		
	R 229	NRSA63J-102X	MG RESISTOR		
	R 251	NRSA63J-203X	MG RESISTOR		
	R 252	NRSA63J-332X	MG RESISTOR		
	R 261	NRSA63J-100X	MG RESISTOR		
	R 262	NRSA63J-392X	MG RESISTOR		
	R 266	NRSA63J-103X	MG RESISTOR		
	R 300	NRSA63J-220X	MG RESISTOR		
	R 301	NRZ0053-R22X	MG RESISTOR		
	R 302	NRSA63J-104X	MG RESISTOR		
	R 303	NRSA63J-222X	MG RESISTOR		
	R 304	NRSA63J-474X	MG RESISTOR		
	R 305	NRSA63J-331X	MG RESISTOR		
	R 306	NRSA63J-474X	MG RESISTOR		
	R 307	NRSA63J-222X	MG RESISTOR		
	R 308	NRSA6AJ-103W	MG RESISTOR		
	R 310	NRSA63J-183X	MG RESISTOR		
	R 311	NRSA6AJ-102W	MG RESISTOR		
	R 312	NRSA6AJ-102W	MG RESISTOR		
	R 313	NRSA6AJ-102W	MG RESISTOR		
	R 314	NRSA6AJ-102W	MG RESISTOR		
	R 315	NRSA63J-133X	MG RESISTOR		
	R 316	NRSA63J-243X	MG RESISTOR		
	R 317	NRSA63J-913X	MG RESISTOR		
	R 318	NRSA63J-133X	MG RESISTOR		
	R 321	NRSA63J-563X	MG RESISTOR		
	R 322	NRSA63J-331X	MG RESISTOR		
	R 323	NRSA63J-331X	MG RESISTOR		
	R 324	NRSA63J-331X	MG RESISTOR		
	R 325	NRSA63J-102X	MG RESISTOR		
	R 326	NRSA63J-472X	MG RESISTOR		
	R 327	NRSA63J-331X	MG RESISTOR		
	R 328	NRSA63J-331X	MG RESISTOR		
	R 329	NRSA63J-101X	MG RESISTOR		
	R 330	NRSA63J-222X	MG RESISTOR		
	R 331	NRSA63J-222X	MG RESISTOR		
	R 341	NRSA63J-221X	MG RESISTOR		
	R 351	NRSA63J-102X	MG RESISTOR		
	R 352	NRSA63J-102X	MG RESISTOR		
	R 353	NRSA63J-102X	MG RESISTOR		
	R 354	NRSA63J-102X	MG RESISTOR		
	R 355	NRSA63J-102X	MG RESISTOR		
	R 356	NRSA63J-102X	MG RESISTOR		

△	Item	Parts number	Parts name	Remarks	Area
	R 357	NRSA63J-102X	MG RESISTOR		
	R 358	NRSA63J-102X	MG RESISTOR		
	R 359	NRSA63J-103X	MG RESISTOR		
	R 360	NRSA63J-102X	MG RESISTOR		
	R 361	NRSA63J-103X	MG RESISTOR		
	R 362	NRSA6AJ-102W	MG RESISTOR		
	R 363	NRSA63J-102X	MG RESISTOR		
	R 364	NRSA63J-102X	MG RESISTOR		
	R 365	NRSA63J-102X	MG RESISTOR		
	R 366	NRSA63J-102X	MG RESISTOR		
	R 367	NRSA6AJ-102W	MG RESISTOR		
	R 368	NRSA63J-222X	MG RESISTOR		
	R 369	NRSA63J-101X	MG RESISTOR		
	R 370	NRSA6AJ-101W	MG RESISTOR		
	R 371	NRSA63J-471X	MG RESISTOR		
	R 372	NRSA63J-221X	MG RESISTOR		
	R 373	NRSA63J-221X	MG RESISTOR		
	R 374	NRSA63J-471X	MG RESISTOR		
	R 375	NRSA63J-103X	MG RESISTOR		
	R 376	NRSA63J-104X	MG RESISTOR		
	R 377	NRSA63J-684X	MG RESISTOR		
	R 378	NRSA63J-332X	MG RESISTOR		
	R 379	NRSA63J-102X	MG RESISTOR		
	R 380	NRSA63J-102X	MG RESISTOR		
	R 381	NRSA63J-105X	MG RESISTOR		
	R 382	NRSA63J-151X	MG RESISTOR		
	R 383	NRSA63J-221X	MG RESISTOR		
	R 384	NRSA63J-104X	MG RESISTOR		
	R 385	NRSA63J-103X	MG RESISTOR		
	R 386	NRSA63J-103X	MG RESISTOR		
	R 387	NRSA02J-1R0X	MG RESISTOR		
	R 388	NRSA02J-1R0X	MG RESISTOR		
	R 389	NRSA02J-1R0X	MG RESISTOR		
	R 400	NRSA63J-104X	MG RESISTOR		
	R 402	NRSA63J-1R0X	MG RESISTOR		
	R 450	NRSA63J-223X	MG RESISTOR		
	R 451	NRSA63J-223X	MG RESISTOR		
	R 455	NRSA63J-1R0X	MG RESISTOR		
	R 459	NRSA63J-105X	MG RESISTOR		
	R 460	NRSA63J-684X	MG RESISTOR		
	R 461	NRSA63J-473X	MG RESISTOR		
	R 466	NRSA63J-1R0X	MG RESISTOR		
	R 501	NRSA63J-222X	MG RESISTOR		
	R 502	NRSA63J-273X	MG RESISTOR		
	R 504	NRSA63J-104X	MG RESISTOR		
	R 505	NRSA63J-104X	MG RESISTOR		
	R 506	NRSA63J-104X	MG RESISTOR		
	R 507	NRSA63J-104X	MG RESISTOR		
	R 508	NRSA63J-104X	MG RESISTOR		
	R 509	NRSA63J-104X	MG RESISTOR		
	R 510	NRSA63J-474X	MG RESISTOR		
	R 514	NRSA63J-474X	MG RESISTOR		
	R 515	NRSA63J-102X	MG RESISTOR		
	R 517	NRSA63J-104X	MG RESISTOR		
	R 519	NRSA63D-334X	MG RESISTOR		
	R 520	NRSA63D-224X	MG RESISTOR		
	R 521	NRSA63J-103X	MG RESISTOR		
	R 522	NRSA63D-334X	MG RESISTOR		
	R 523	NRSA63D-224X	MG RESISTOR		
	R 524	NRSA63J-104X	MG RESISTOR		
	R 525	NRSA63J-104X	MG RESISTOR		
	R 526	NRSA63J-104X	MG RESISTOR		
	R 528	NRSA63J-102X	MG RESISTOR		

■ Electrical parts list (Main board)

Block No. 01

△	Item	Parts number	Parts name	Remarks	Area
	R 529	NRSA63J-102X	MG RESISTOR		
	R 530	NRSA63J-102X	MG RESISTOR		
	R 531	NRSA63J-104X	MG RESISTOR		
	R 551	NRSA63J-103X	MG RESISTOR		
	R 552	NRSA63J-222X	MG RESISTOR		
	R 553	NRSA63J-272X	MG RESISTOR		
	R 554	NRSA63J-392X	MG RESISTOR		
	R 555	NRSA63J-562X	MG RESISTOR		
	R 556	NRSA63J-104X	MG RESISTOR		
	R 557	NRSA63J-153X	MG RESISTOR		
	R 558	NRSA63J-183X	MG RESISTOR		
	R 559	NRSA6AJ-273W	MG RESISTOR		
	R 560	NRSA6AJ-393W	MG RESISTOR		
	R 561	NRSA6AJ-683W	MG RESISTOR		
	R 562	NRSA63J-124X	MG RESISTOR		
	R 571	NRVA63D-103X	MF RESISTER		
	R 572	NRVA63D-103X	MF RESISTER		
	R 801	NRSA63J-100X	MG RESISTOR		
	R 806	NRSA63J-471X	MG RESISTOR		
	R 807	NRSA6AJ-222W	MG RESISTOR		
	R 811	NRSA6AJ-103W	MG RESISTOR		
	R 812	NRSA63J-102X	MG RESISTOR		
	R 813	NRSA63J-101X	MG RESISTOR		
	R 820	NRSA63J-101X	MG RESISTOR		
	R 821	NRSA63J-104X	MG RESISTOR		
	R 822	NRSA63J-473X	MG RESISTOR		
	R 823	NRSA63J-103X	MG RESISTOR		
	R 824	NRSA63J-103X	MG RESISTOR		
	R 825	NRSA63J-475X	MG RESISTOR		
	R 826	NRSA63J-272X	MG RESISTOR		
	R 827	NRSA63J-104X	MG RESISTOR		
	R 828	NRSA63J-472X	MG RESISTOR		
	R 829	NRSA63J-103X	MG RESISTOR		
	R 859	NRSA6AJ-104W	MG RESISTOR		
	R 861	NRSA6AJ-104W	MG RESISTOR		
	R 862	NRSA6AJ-104W	MG RESISTOR		
	R 863	NRSA63J-4R7X	MG RESISTOR		
	R 901	NRSA63D-334X	MG RESISTOR		
	R 902	NRSA63D-224X	MG RESISTOR		
	R 904	NRSA63J-221X	MG RESISTOR		
	R 905	NRSA63J-103X	MG RESISTOR		
	R 907	NRSA63J-224X	MG RESISTOR		
	R 908	NRSA63J-103X	MG RESISTOR		
	R 909	NRSA63J-474X	MG RESISTOR		
	R 911	NRSA63D-822X	MG RESISTER		
	R 912	NRVA63D-103X	MF RESISTER		
	R 913	NRVA63D-562X	MF RESISTER		
	R 914	NRSA63J-274X	MG RESISTOR		
	R 915	NRSA63J-183X	MG RESISTOR		
	R 916	NRVA63D-102X	MF RESISTOR		
	R 918	NRSA63J-151X	MG RESISTOR		
	R 919	NRSA63J-473X	MG RESISTOR		
	R 920	NRSA6AJ-0R0W	MG RESISTOR		
	R 921	NRVA63D-204X	MF RESISTER		
	R 922	NRVA63D-184X	MG RESISTOR		
	R 923	NRSA63J-2R2X	MG RESISTOR		
	R 941	NRV142F-1R5X	MG RESISTOR		
	R 942	NRV142F-1R5X	MG RESISTOR		
	R 943	NRV142F-1R5X	MG RESISTOR		
	R 944	NRV142F-1R5X	MG RESISTOR		
	R 951	NRSA63J-560X	MG RESISTOR		
	R 952	NRSA63J-473X	MG RESISTOR		
	R 953	NRSA63J-474X	MG RESISTOR		

△	Item	Parts number	Parts name	Remarks	Area
	R 954	NRSA63J-474X	MG RESISTOR		
	R 955	NRSA63J-474X	MG RESISTOR		
	R 956	NRSA63J-274X	MG RESISTOR		
	R 957	NRSA63J-104X	MG RESISTOR		
	R 958	NRSA63J-104X	MG RESISTOR		
	R 959	NRSA63J-474X	MG RESISTOR		
	R 960	NRSA63J-473X	MG RESISTOR		
	R 961	NRSA63J-184X	MG RESISTOR		
	R 962	NRSA63J-474X	MG RESISTOR		
	R 963	NRSA63J-472X	MG RESISTOR		
	R 965	NRSA63J-101X	MG RESISTOR		
	R 971	NRSA63J-105X	MG RESISTOR		
	R 972	NRSA63J-823X	MG RESISTOR		
	S 501	NSW0099-001X	SLIDE SWITCH	HOLD	
	S 502	NSW0121-001X	PUSH SWITCH	OPEN/CLOSE	
	S 503	NSW0121-001X	PUSH SWITCH	AC/DC	
	S 551	QSW0678-001X	PUSH SWITCH	REC PAUSE	
	S 552	NSW0117-001X	SLIDE SWITCH	REC MODE	
	TH501	NAD0021-103X	THERMISTOR		
	X 351	NAX0439-001X	CRYSTAL		
	X 500	NAX0248-001X	C OSCILLATOR		

■ Electrical parts list (Magnetic head board) Block No. 02

△	Item	Parts number	Parts name	Remarks	Area
	C 601	NCB31CK-104X	C CAPACITOR		
	C 602	NBE21AM-106X	E CAPACITOR		
	C 603	NCB31CK-104X	C CAPACITOR		
	C 604	NDC32AJ-101X	C CAPACITOR		
	CN601	QGF0513F1-05X	CONNECTOR		
	CN602	QGF0513F1-05X	CONNECTOR		
	D 601	FS05J10-X	S.B.DIODE		
	D 602	FS05J10-X	S.B.DIODE		
	IC601	SN74AHCT540PW-X	IC		
	Q 601	2SK2315-W	TRANSISTOR		
	Q 602	2SK2315-W	TRANSISTOR		
	Q 603	2SK2315-W	TRANSISTOR		
	Q 604	2SK2315-W	TRANSISTOR		
	Q 605	DTC144EE-X	TRANSISTOR		
	R 601	NRSA63J-224X	MG RESISTOR		
	R 602	NRSA63J-224X	MG RESISTOR		
	R 603	NRSA63J-224X	MG RESISTOR		
	R 604	NRSA63J-224X	MG RESISTOR		
	R 605	NRSA63J-224X	MG RESISTOR		
	R 606	NRSA63J-223X	MG RESISTOR		
	R 607	NRSA63J-2R0X	MG RESISTOR		
	R 608	NRSA63J-2R0X	MG RESISTOR		

■ Electrical parts list (MD switch board) Block No. 03

△	Item	Parts number	Parts name	Remarks	Area
	S 1	NSW0108-001X	DETECT SWITCH	REST SW	
	S 2	NSW0108-001X	DETECT SWITCH	DOWN DET SW	
	S 3	NSW0108-001X	DETECT SWITCH	UP DET SW	
	S 4	NSW0109-001X	DETECT SWITCH	W.PROT SW	
	S 5	NSW0104-001X	DETECT SWITCH	MO/PIT DET SW	

■ Parts list (Packing)

Block No. M3MM

△	Item	Parts number	Parts name	Q'ty	Description	Area
	P 1	QPA01202505	POLY BAG	1	AIR-CAP BAG	
	P 2	LV30245-003A	POLY BAG	1		
	P 3	LV32599-001A	PAPER CUSHION	1		
	P 4	LV32290-003A	CARTON	1		

■ Parts list (Accessories)

Block No. M4MM

△	Item	Parts number	Parts name	Q'ty	Description	Area
△	A 1	LVT0621-004A	INSTRUCTIONS	1	ENG,SPA,CHI	
△	A 2	QAB0021-002	LI-ION BATTERY	1	BN-R3610	
△	A 3	QAL0181-001	AC ADAPTOR	1		
	A 4	QAN0021-002	HEAD PHONE	1		
	A 5	QAL0252-004	REMOCON	1		
	A 6	LV31256-002A	BATT CASE ASSY	1		
	A 7	LV32289-001A	SOFT CASE	1		
△	A 8	QMP39F0-183E	POWER CORD	1		
	A 9	QAM0060-001	SIEMENS PLUG	1		
	A 10	QAM0227-001	OPT CABLE	1		